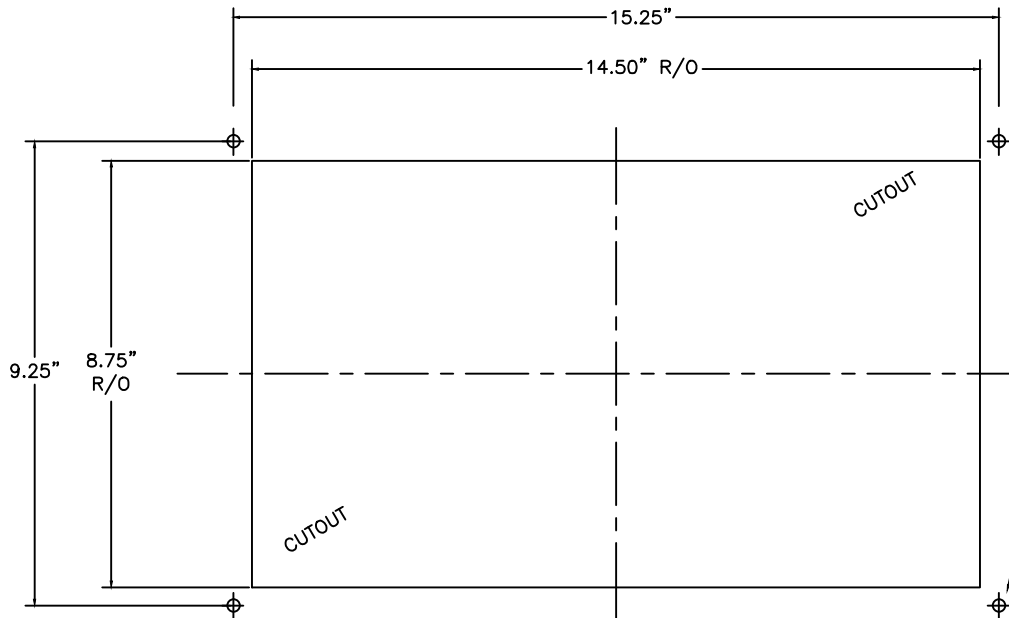
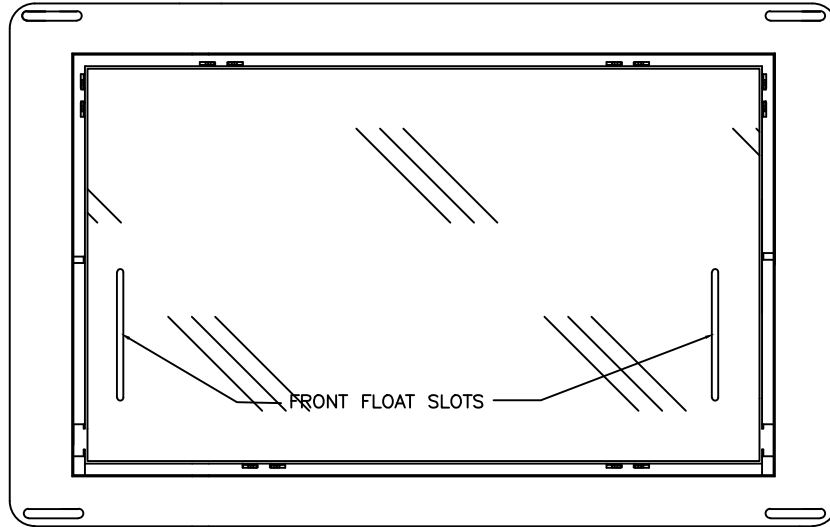
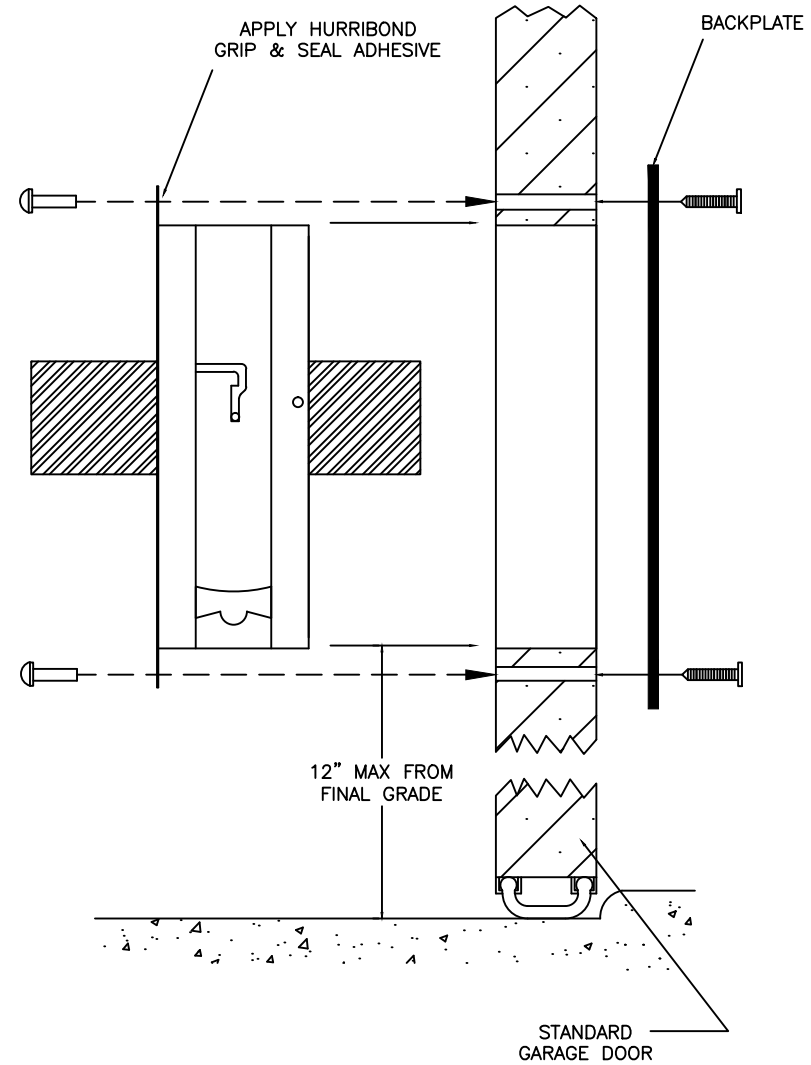



DETAIL DIAGRAM
 MODEL 1540-574
 14 1/2" GARAGE DOOR INSULATED



FOR TEMPLATING ON OVERHEAD GARAGE DOOR-
 BACKPLATE MAY BE USED



1/4" DIA. 4 PLS.

TOLERANCES UNLESS OTHERWISE SPECIFIED X.X +/-0.06 X.XX +/-0.03 X.XXX +/-0.005	 SMART VENT® 877-441-8368 WWW.SMARTVENT.COM		SMART VENT FOUNDATION FLOOD VENTS 430 ANDBRO DR., UNIT 1 PITMAN NJ 08071		
			14 1/2" GARAGE DOOR INSULATED MODEL 1540-574		
THE INFORMATION CONTAINED IN THIS DRAWING IS THE SOLE PROPERTY OF SMART VENT, INC. IF USED IN PROJECT, CHANGES TO DRAWING ARE PROHIBITED WITHOUT THE WRITTEN PERMISSION OF SMART VENT, INC.			SIZE A	DWG NO. 1540-574	REV A
DATE: 6-21-16			SHEET 1 OF 2		



Smart VENT

877- 441- 8368

www.smartvent.com

INSTALLATION INSTRUCTIONS
& DETAILS

MODEL 1540-574

14 1/2" GARAGE DOOR INSULATED
REV. 6-21-16

INSTALLATION INSTRUCTIONS

(SEE DIAGRAM ON BACK PAGE 1 OF 2)

1. FOR EACH VENT CUT A CLEAN, SQUARE, AND LEVEL 14 1/2"x8.75" OPENING IN THE DOOR PANEL. ENSURE THAT THE BOTTOM OF THE OPENING IS NO MORE THAN 12" ABOVE THE FINAL GRADE (DRIVEWAY). THE INSIDE BACKPLATE CAN ALSO BE USED AS A TEMPLATE.
2. REMOVE THE VENT DOOR FROM VENT FRAME. (TURN UPSIDE DOWN, ROTATE BOTTOM OF DOOR OUTWARD AND SLIDE OUT OF FRAME SLOTS)
3. POSITION THE VENT FRAME BY HAND IN THE OPENING SO THAT IT IS SQUARE AND LEVEL. TRANSFER THE 4 MOUNTING HOLES. REMOVE THE VENT FROM THE OPENING AND DRILL (4) 1/4" HOLES THROUGH THE ENTIRE DOOR..
ENSURE THAT THESE HOLES ARE SQUARE SO THE VENT FRAME AND BACKPLATE LINE UP.
4. CLEAN ANY AND ALL LOOSE OR SHARP METAL BURRS FROM THE DOOR PANEL. THE FRONT VENT FRAME MUST SIT FLUSH TO THE DOOR PANEL.
5. INSERT THE VENT FRAME INTO OH DOOR PANEL WITH SERIAL NUMBER LABEL ON THE BOTTOM. INSTALL BACKPLATE OVER INSIDE OF DOOR FRAME. CHECK ALIGNMENT OF PRE-DRILLED HOLES IN VENT FRAME, DOOR AND BACKPLATE. MAKE SURE FRAME SITS LEVEL AND FRONT FLANGE IS FLUSH WITH THE FRONT OF OH DOOR PANEL. APPLY HURRIBOND GRIP & SEAL OR EQUIVALENT ADHESIVE BEHIND VENT FRONT FRAME FLANGE TO SEAL VENT FRAME TO FACE OF DOOR PANEL. SEE DIAGRAM.
6. SECURE WITH 4 STAINLESS STEEL SEX NUTS AND BOLTS THROUGH DOOR TO BACKPLATE WITH FEMALE SECTION ON OUTSIDE.
IF OVERHEAD DOOR THICKNESS IS TOO THIN, USE THE SELF LOCKING NUTS AND WASHERS IN LIEU OF THE SEX NUTS AND BOLTS.
7. INSERT THE DOOR BACK INTO THE VENT FRAME. CHECK THAT THE VENT DOOR IS LATCHED ON BOTH SIDES. TO OPEN THE VENT INSERT TWO CREDIT CARDS INTO THE FRONT FLOAT SLOTS AS SHOWN IN THE DIAGRAM.
8. VENT DOOR SHOULD NOT OPEN WHEN OH DOOR OPENS. VENT DOOR ONLY OPENS WHEN IN CONTACT WITH FLOOD WATER AND OH DOOR IS FULLY CLOSED.

DETAIL SPECIFICATIONS:

MATERIAL: STAINLESS STEEL

OPERATION: AUTOMATIC NON-POWERED ACTIVATION AND OPERATION

INSTALLATION:

SECURED W/ 4 STAINLESS STEEL BINDING BARRELS

USE 2 1/2" BOLD AND LOCKING NUT WHERE

BINDING BARREL NUT (SNB'S) CAN NOT BE USED.

HYDROSTATIC RELIEF: 200 Sq Ft per Vent

REQUIREMENTS: MINIMUM OF 2 VENTS PER ENCLOSED AREA

MOUNTED ON DIFFERENT WALLS

COLORS: WHITE (STANDARD)

STAINLESS STEEL, WHEAT, GRAY, AND BLACK (AVAILABLE)

MEETS THE REQUIREMENTS FOR ENGINEERED OPENINGS AS SET FORTH BY:
FEMA, NFIP, ICC, & ASCE
SUPPORTIVE DOCUMENTS, TB 1-08, 44CFR 60.3(C)(5), ASCE 24-14
ICC EVALUATION # ESR-2074