



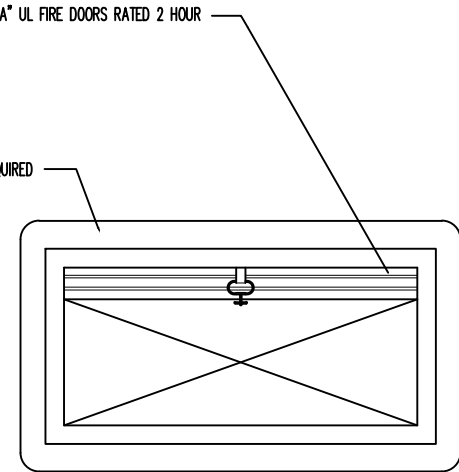
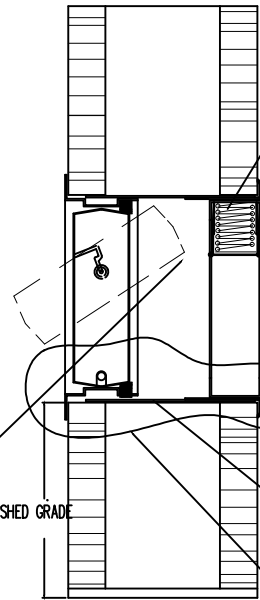
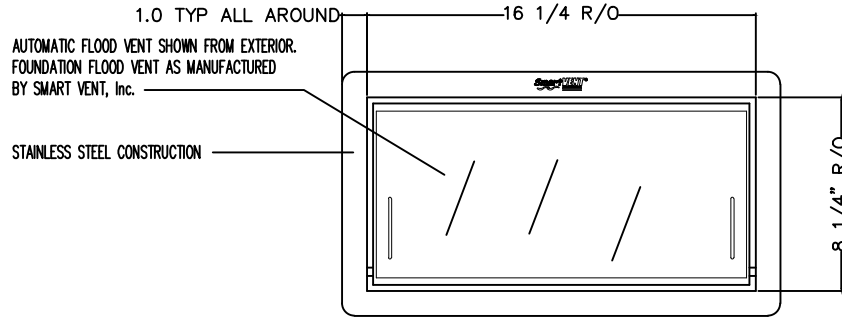
**SMART VENT**

877-441-8368

WWW.SMARTVENT.COM

Minimum Wall Depth of 8 Inches Required for Use

FIRE DAMPER - MASONRY MODEL 1540-530-2HR



SEE NOTE 4  
12" MAXIMUM FROM OUTSIDE FINISHED GRADE

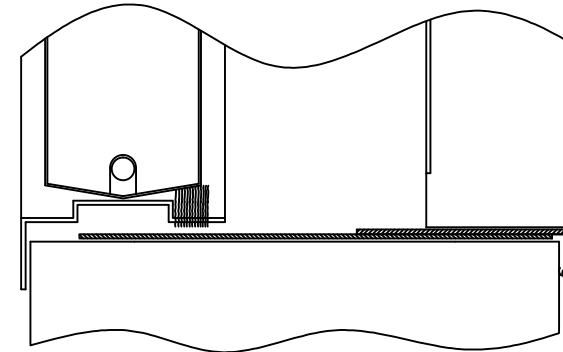
CAULK WITH FIRE RATED SEALANT ALL AROUND OR SEAL WITH FIRE BARRIER MORTAR

STAINLESS STEEL SLEEVE IS REQUIRED

VIEW "AA"



SCALE: 3" = 1'-0"



NOTES:

- 1- INSTALL SLEEVE INTO ROUGH OPENING AND SEAL WITH FIRE RATED CAULK.
- 2- FROM THE INSIDE INSTALL FINISH TRIM FLANGE AND SEAL WITH FIRE RATED CAULK.
- 3- FIRE DAMPER MUST BE SECURED INTO OPENING FLUSH WITH OUTSIDE TRIM FLANGE USING NON CORROSIVE FASTENERS. FASTENERS MUST NOT DEFORM OR IMPEDE THE OPERATION OF THE DOOR.
- 4- WHEN FLOOD DOOR IS OPENED IT MUST NOT CONTACT THE FIRE DAMPER IN ANY WAY
- 5- CONTACT YOUR LOCAL BUILDING CODE INSPECTOR FOR SPECIFIC FIRE CODE REGULATIONS

TOLERANCES UNLESS OTHERWISE SPECIFIED X.X +/-0.06 X.XX +/-0.03 X.XXX +/-0.005	 <b>SMART VENT</b> 877-441-8368 WWW.SMARTVENT.COM		<b>SMART VENT Foundation Flood Vents</b> 450 AndBro Dr., Suite 2B Pitman NJ 08071		
			<b>MODEL # 5513 (2) HOUR THIN LINE FIRE DAMPER AND FLOOD VENT ASSEMBLY</b>		
THE INFORMATION CONTAINED IN THIS DRAWING IS THE SOLE PROPERTY OF SMART VENT, INC. IF USED IN PROJECT, CHANGES TO DRAWING ARE PROHIBITED WITHOUT THE WRITTEN PERMISSION OF SMART VENT, INC.		SIZE A	FSCM NO.	DWG NO. 1540-530-2HR	REV C
DR. .		DATE. 5-15-09		SHEET 1 OF 1	